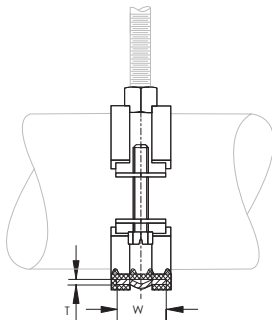
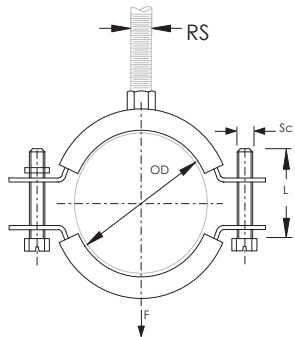
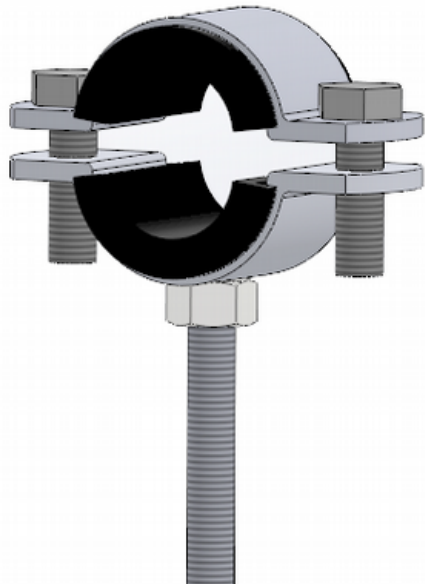


SISTEMI DI SUPPORTO – UNTERSTÜTZENDE SYSTEME

PIPING SUPPORT SYSTEMS



Collari 620

guarnizione gomma/rubber insulation

Typology of material: ElectroZinc Plated Steel
Tipologia Materiale: Acciaio Zincato galvanicamente
Temperature rating: from -50 °C to 110 °C
Campo di temperatura: from -50 °C to 110 °C

EPDM rubber insulation for sound reduction compliant with DIN 4109 / la guarnizione in EPDM per l'isolamento acustico rispetta la norma DIN 4109

Code / codice	φ ["]	φ [mm]	WxT [mm]	RS	ScxL	Load / Carico [N]
620.0	¼	12-15	20x1,5	M8/M10	M6x20	1000
620.1	3/8	15-19	20x1,5	M8/M10	M6x20	1000
620.2	½	20-24	20x1,5	M8/M10	M6x20	1000
620.3	¾	25-30	20x1,5	M8/M10	M6x20	1000
620.4	1	32-37	20x1,5	M8/M10	M6x20	1000
620.5	1 ¼	40-45	20x1,5	M8/M10	M6x25	1000
620.6	1 ½	48-53	20x2,0	M8/M10	M6x25	1300
620.7		54-58	20x2,0	M8/M10	M6x25	1300
620.8	2	59-63	20x2,0	M8/M10	M6x25	1300
620.9		68-73	20x2,0	M8/M10	M6x25	1300
620.10	2 ½	75-80	20x2,0	M8/M10	M6x25	1300
620.11	3	89-91	20x2,0	M8/M10	M6x25	1300
620.12		95-103	23x2,5	M8/M10	M6x25	2200
620.13		104-110	23x2,5	M8/M10	M6x25	2200
620.14	4	108-116	23x2,5	M8/M10	M8x25	2200
620.15		121-127	23x2,5	M8/M10	M8x25	2200
620.16	5	135-141	23x2,5	M8/M10	M8x25	2200
620.17	6	165-168	23x2,5	M8/M10	M8x25	2200
620.18		198-202	25x3,0	M8/M10	M8x25	2500
620.19	8	216-220	25x3,0	M8/M10	M8x25	2500
620.20		225	30x3,0	M8/M10	M8x25	2700
620.21		250	30x3,0	M8/M10	M8x25	2700
620.22		274-280	30x3,0	M8/M10	M8x25	2700
620.23		315	30x3,0	M8/M10	M8x25	2700